

User manual

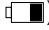
[1856102] RFID lock for personal storage




User manual

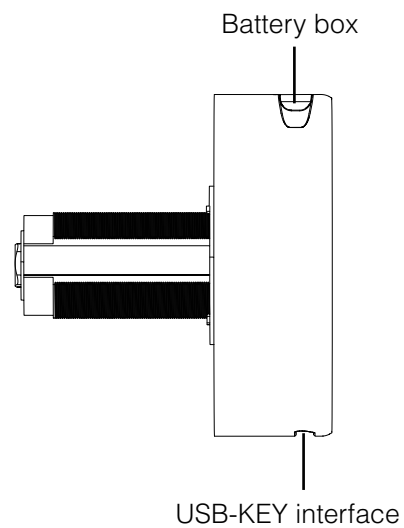
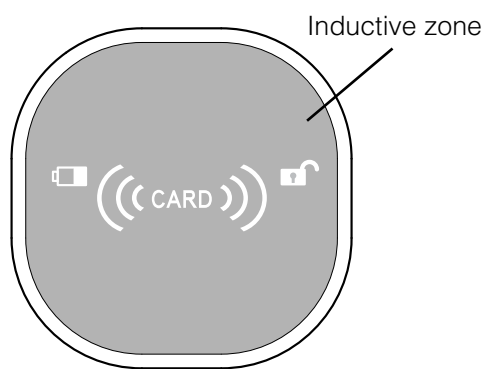
RFID lock for personal storage

Features

- Automatic power shortage prompts (when lock show this signal )
- Equipped with CR2450 battery

 Low voltage indicator light

 Unlocking indicator light



Operate the lock

Lock & unlock

Unlock

1. Use the card 1 time.
2. Buzzer gives out a long beep sound when the green indicator light is on.
3. Rotate the knob within 3 seconds to open the lock.

Lock

1. Rotate the knob to lock position.

Settings

Switch between public and private mode (with special mode switch card)

1. Use the mode switch card one time.
2. Buzzer gives one beep sound to indicate private mode, and two beep sounds to indicate public mode.

Note: All stored cards are deleted after the mode is switched.

Private mode setting

There are four types of cards in private mode:

- Management card (1 only)
- Main card (3 at most)
- Service card (19 at most)
- Guest card (1 only)

Use management card:

- 1 time to add the guest card
- 2 times to add a service card
- 3 times to add a main card
- 4 times to unlock
- 5 times to delete the other three types of stored cards

Setting the management card:

The factory default card database is empty. The first card you use will be the management card, following two beep sounds to confirm a successful programming.

1. Add guest card (single card opening):

Use management card 1 time, you will see the green LED flash, and then take any other card to be added, the previous guest card will be deleted automatically.

2. Add service card (double card opening):

Use management card 2 times, you will see the green LED flash, and then take any other card(s) to be added, this new card will be the service card. In this case, service card and guest card can be both be used to unlock. You can add up to 19 service cards at most.

3. Add main card:

Use management card 3 times, you will see the green LED flash, and then take any other card(s), this new card will be main card.

Main card opening is workable at both single and double card mode. You can add up to 3 main cards at most.

4. Using the management card:

Use the management card 4 times.

5. Deleting stored cards (guest, service, main cards):

Use management card 5 times, when you hear the sound two beep sounds and the LED flash, the stored cards except management card is deleted.

Public mode setting

There are two types of cards in public mode:

- Management card (3 at most)
- Temporary user card (1 only)

Setting the management card:

The first card you use will be the management card. Use the management card 2 times to add other management cards (3 at most). Use the management card 5 times to delete all cards.

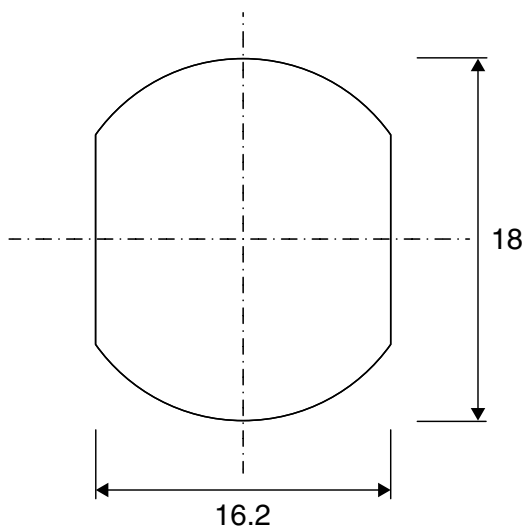
Setting the temporary user card:

Use un-set card one time, temporary user card setting succeed. Temporary user card can be used one time only.

Note: The temporary user card will be deleted after using the management card.

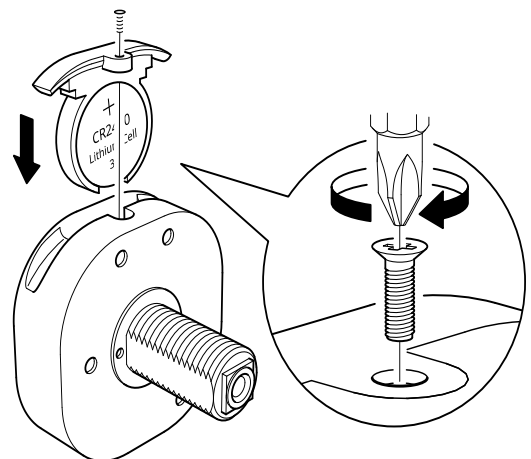
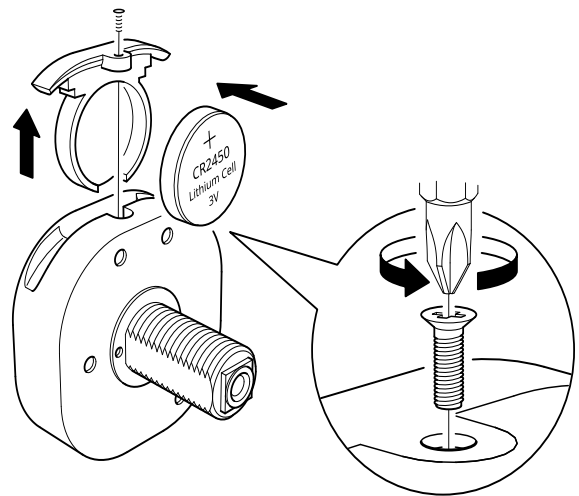
Fixing hole size & battery

Fixing hole size



Battery insert/removal

Battery type: 1pcs CR2450 3V





The crossed-out wheelee bin symbol indicates that the item must not be disposed of with normal, unsorted general waste. The item must be sent to separate collection facilities for recovery and recycling in accordance with local waste disposal regulations.

By separating electronic equipment and batteries from general waste, you help reduce the volume of waste sent to incineration or landfill and minimise any potential negative effects on the environment and human health.